


METAL CEILING SPECIFICATION

... x ... mm Sized Flat Lay-in Standard System

General Description:

Galvanised Steel/Aluminium ceiling panels supported by T-24 suspension system manufactured in accordance with European, American and TAIM (Technical Association of Industrial Metal Ceiling Manufacturers) standards by a manufacturer that have ISO9001:2000, TSE ve  certificates.

Ceilings are tested in accordance with EN 13501-1 and must be designed to comply with at least Euroclass B-S1-D0

Panel Description:

- Raw material: Ceiling panels manufactured from ... mm Galvanised Steel/Aluminium.
- Colour: Ceiling panels coated electrostatically applied powder coating coloured RAL ... (min. 60 μ thickness and approx. %20 Gloss Rate)
- Acoustical inlay: Ceiling panels are manufactured with 0,2 mm thickness, black acoustical inlay (Royalin/Soundtex) to achieve sound absorption $\alpha_w = \dots$ for $\varnothing \dots$ mm Perforation (%.. open area)
- Perforation: Ceiling panels are perforated $\varnothing \dots$ mm (% ... open area) and plain borders are ... mm.

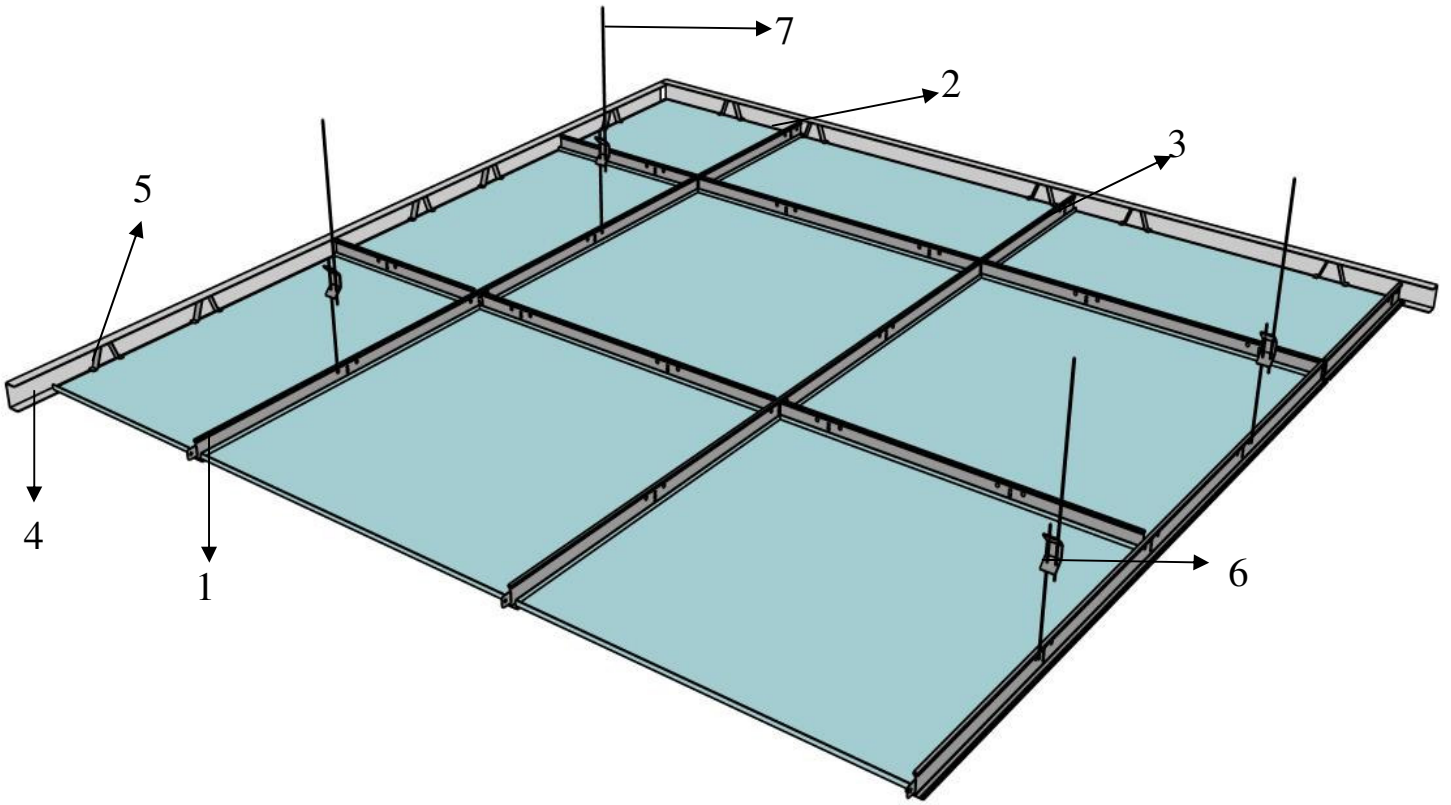
Suspension System:

- 1- AS GR24-BO1: T-24 Main Runner, 3600 mm length, 0,4 mm thickness , galvanised steel.
- 2- AS GR24-BO2: T-24 Cross Tee Runner, 1200 mm length, 0,4 mm thickness , galvanised steel.
- 3- AS GR24-BO3: T-24 Cross Tee Runner, 600 mm length, 0,4 mm thickness , galvanised steel.
- 4- CDPR 300: C-Wall Angle, 20x40x20 mm sized, 3000 mm length, 0,5 mm thickness, pre-painted galvanised steel
- 5- KT 40: Wedge Clip, 0,5 mm thickness, galvanised steel
- 6- HDVC/4: Double spring clip, black colored, phosphatized, 0,5 mm thickness, galvanised steel
- 7- DST-01: Hanger Wire, Ø4 mm, 1000mm length (Standard)
- 8- TP-02: Steel anchor that coated by zinc against corrosion

Installation:

C-Wall Angle(4) should be used for lateral sides facing inwards of the gypsum pool. The first hanger system should not exceed 450 mm distance from the wall and the distance between hangers could be max 1000mm. Double spring clip(6), hanger wire(7) and steel anchor(8) will be used to suspend the runners securely.(See System Drawing,pg.4). The distance between Wall-angle and the main runner should be max. 600 mm. The distance between the main runners should not exceed 1200mm. The cross runners should be positioned on 600 mm away from each.

System Drawing:



System Detail:

