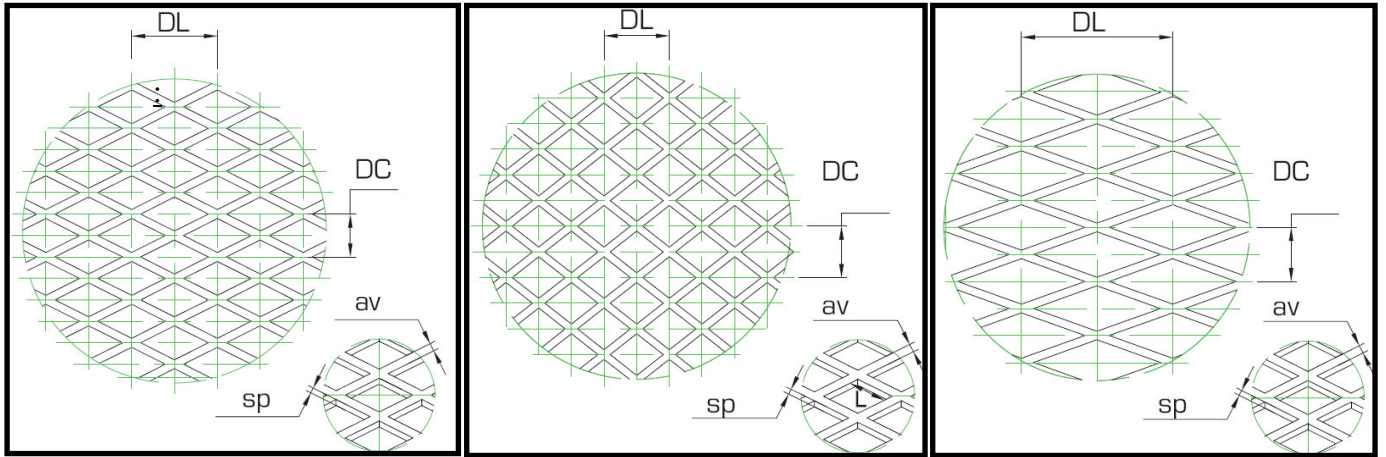


## INTEGRA EXPANDED SPECIFICATION

### DEEP TEGULAR LAY-IN EXPANDED:

- Raw Material: ... mm Galvanised Steel/Aluminium/Copper
- Mesh Types:



**R .. x .. - .. x ...**

**Q .. x .. - .. x ...**

**R .. x .. - .. x ...**

**R = DL / DL = Horizontal width / DC = Vertical Width / av = strand width / SP = strand thickness**

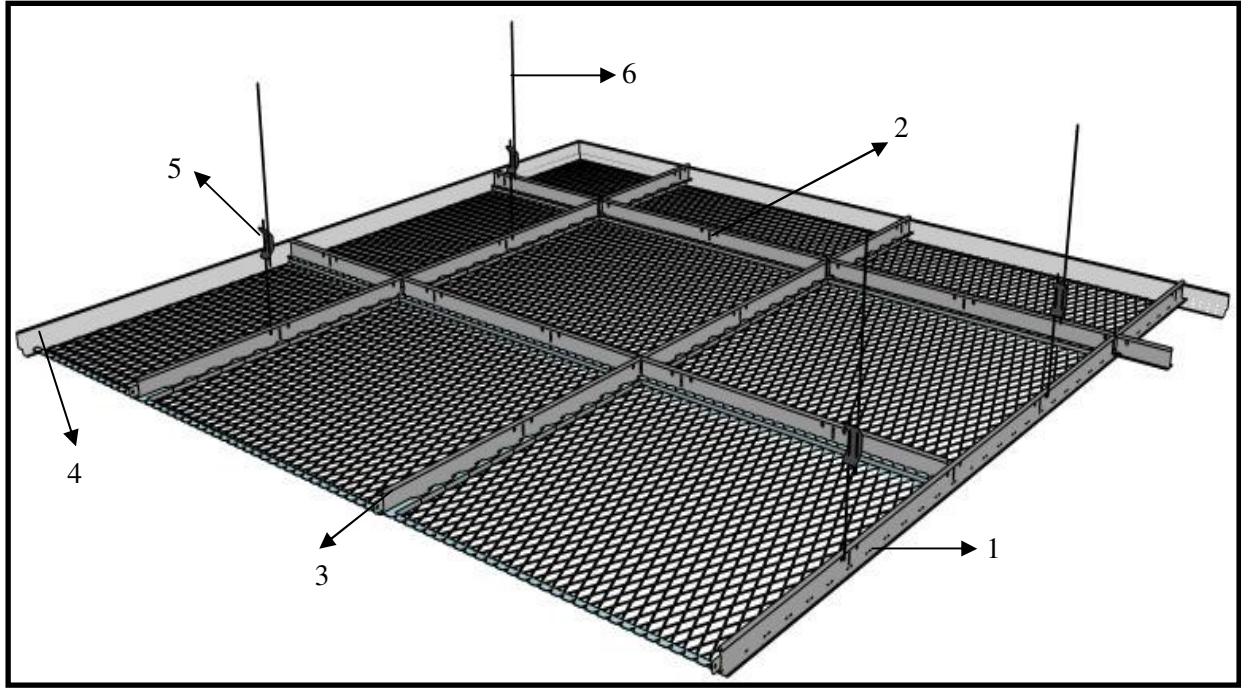
- Finish: RAL .... Electrostatic powder coating.

**Suspension System:**

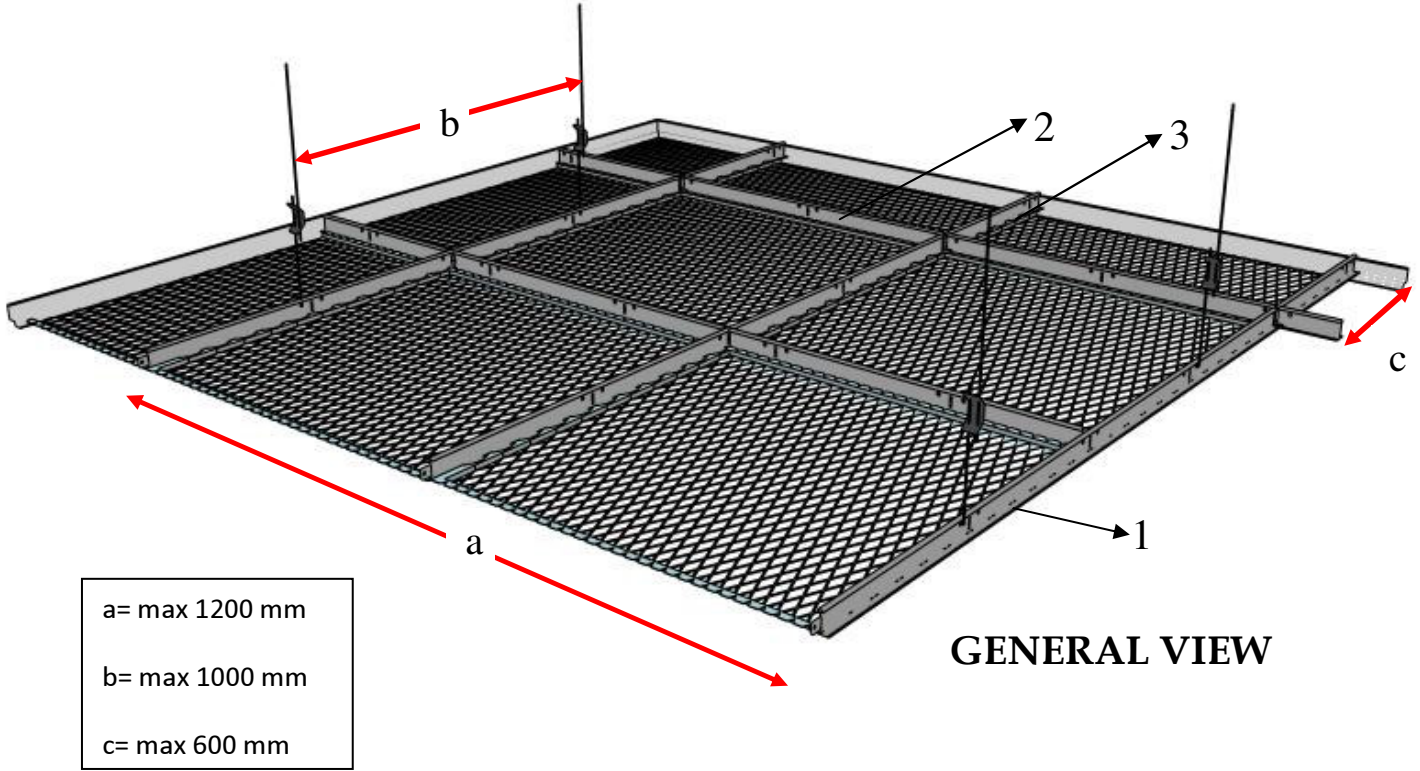
- 1- AS GR24-BO1: T-24 Main Runner, 3600 mm length, 0,4 mm thickness , galvanised steel.
- 2- AS GR24-BO2: T-24 Cross Tee Runner, 1200 mm length, 0,4 mm thickness , galvanised steel.
- 3- AS GR24-BO3: T-24 Cross Tee Runner, 600 mm length, 0,4 mm thickness , galvanised steel.
- 4- AS-GR1508-B05: Shadow Angle, 3050 mm length, 0,5 mm thickness, pre-painted galvanised steel
- 5- HDVC/4: Double spring clip, black colored, phosphatized, 0,5 mm thickness, galvanised steel
- 6- DST-01: Hanger Wire, Ø4 mm, 1000mm length (Standard)
- 7- TP-02: Steel anchor that coated by zinc against corrosion

**Installation:**

Shadow Angle (4) should be used for lateral sides facing inwards of the gypsum pool. The first hanger system should not exceed 450 mm distance from the wall and the distance between hangers could be max 1000mm. Double spring clip(5), hanger wire(6) and steel anchor(7) will be used to suspend the runners securely.(See System Drawing,pg.4). The distance between Wall-angle and the main runner should be max. 600 mm. The distance between the main runners should not exceed 1200mm. The cross runners should be positioned on 600 mm away from each. Deep Tegular Lay-in Panels have 12 mm return from the T-24 system.



**DEEP TEGULAR LAY-IN EXPANDED SYSTEM**



PROFILE/ACCESSORY	PRODUCT CODE
T 24 Main Runner (3600mm)(1)	AS-GR24-B01
T 24 Cross Tee (1200mm)(2)	AS-GR24-B02
T 24 Cross Tee (600mm)(3)	AS-GR24-B03
Shadow Angle(4)	AS-GR1508-B05
Double Spring Clip (5)	HDVC/4
Hanger Wire (6)	DST-01
Steel Anchor	TP-02

**SYSTEM DETAIL**

