

METAL CEILING SPECIFICATION

... x ... mm Sized Perspekt C Bandraster Nonius System

General Description:

Galvanised Steel/Aluminium ceiling panels supported by fully concealed suspension system manufactured in accordance with European, American and TAIM (Technical Association of Industrial Metal Ceiling Manufacturers) standards by a manufacturer that have ISO9001:2000, TSE ve CE certificates.

Ceilings are tested in accordance with EN 13501-1 and must be designed to comply with at least Euroclass B-S1-D0

Panel Description:

- **Raw material:** Ceiling panels manufactured from ... mm Galvanised Steel/Aluminium.
- **Colour:** Ceiling panels coated electrostatically applied powder coating coloured RAL ... (min. 60 µ thickness and approx. %20 Gloss Rate)
- **Acoustical inlay:** Ceiling panels are manufactured with 0,2 mm thickness, black acoustical inlay (Royalin/Soundtex) to achieve sound absorption $\alpha_w = \dots$ for $\varnothing \dots$ mm Perforation (%.. open area)
- **Perforation:** Ceiling panels are perforated $\varnothing \dots$ mm (% ... open area) and plain borders are ... mm.

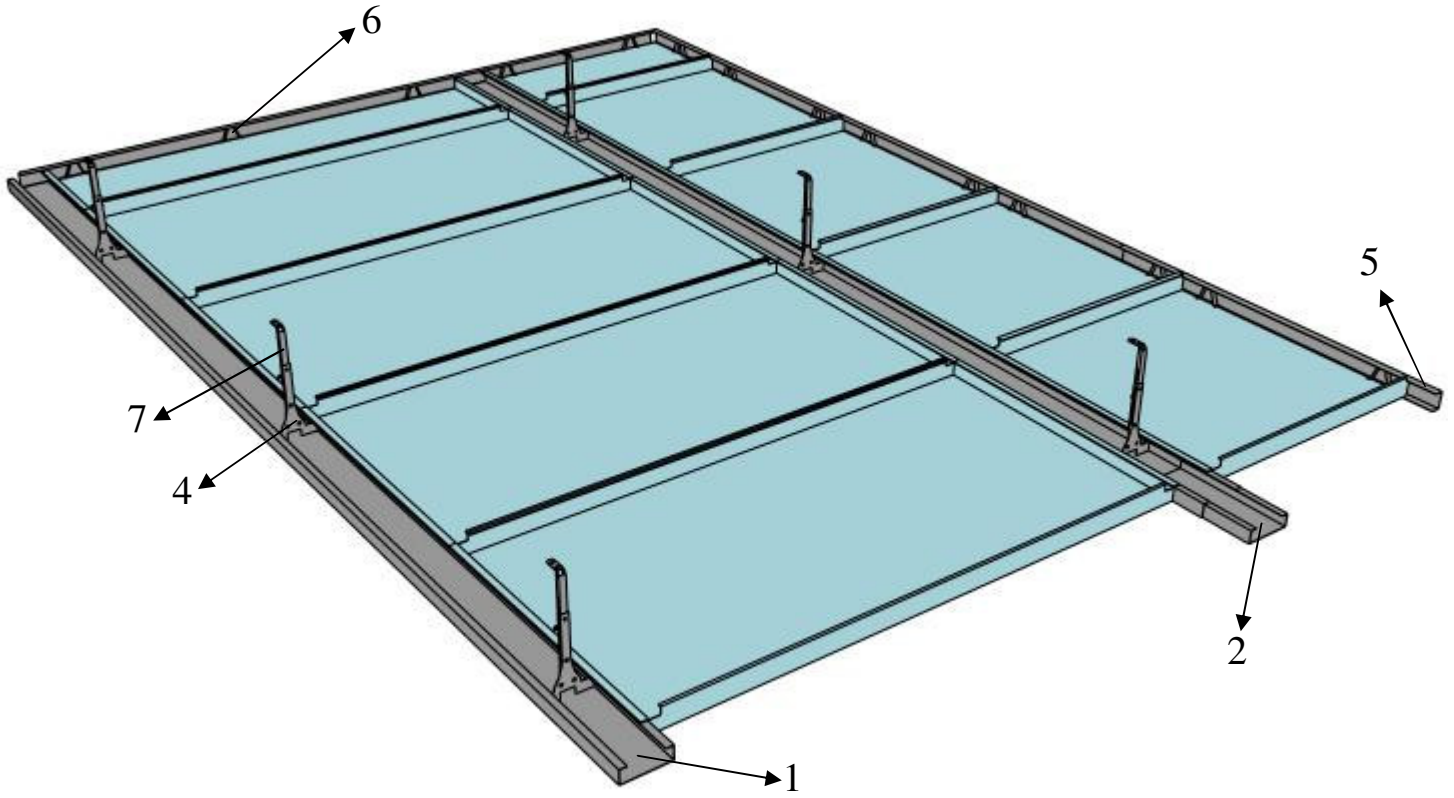
Suspension System:

- 1- CBP-100-L400-9010: C Bandraster Profile, 100 mm width, 4000 mm length, 1 mm thickness, galvanised steel
- 2- CBP-ZL-100: C Bandraster Profile Splice
- 3- CBP-ZW-100: C Bandraster Wall Anchor, 1 mm thickness, galvanised steel. (if there is no C-Wall Angle).
- 4- CBP-100NA-50: C Bandraster Nonius Rigid Hanger (Lower Part)
- 5- CDPR 300: C-Wall Angle, 20x40x20 mm sized, 3000 mm length, 0,5 mm thickness, pre-painted galvanised steel
- 6- KT 40: Wedge Clip, 0,5 mm thickness, galvanised steel
- 7- NU-30: Nonius Rigid Hanger (upper part)
- 8- TP-02: Steel anchor that coated by zinc against corrosion

Installation:

C-Wall Angle(5) should be used for lateral sides facing inwards of the gypsum pool. C Bandraster wall anchor (3) should be used if there is no C wall angle. The first hanger system should not exceed 450 mm distance from the wall and the distance between hangers could be max 1000mm. C Bandraster Nonius Rigid Hanger (Lower Part) (4), Nonius Rigid Hanger (upper part) (7) , and steel anchor (8) will be used to suspend the C Bandraster Profile(1) securely.(See System Drawing,pg.4) The distance between Wall-angle and the main runner should be max. 600 mm. The distance between the main runners should not exceed 1200mm. The cross runners should be positioned on 600 mm away from each. In order to add one C Bandraster profile C Bandraster profile splice(2) should be used.

System Detail:



System Detail:

